

AUTO HINGES OFFSET TYPE



JQA-EM4057
NITTO KOHKI Co., LTD.
Headquarters/Research Center
Nagasaki Office



QC99J1026
SHIRAKAWA NITTO KOHKI Co., LTD.

CREATE 500 series CONCEALED 600 series

Creating an ideal harmony of function and design.

CREATE

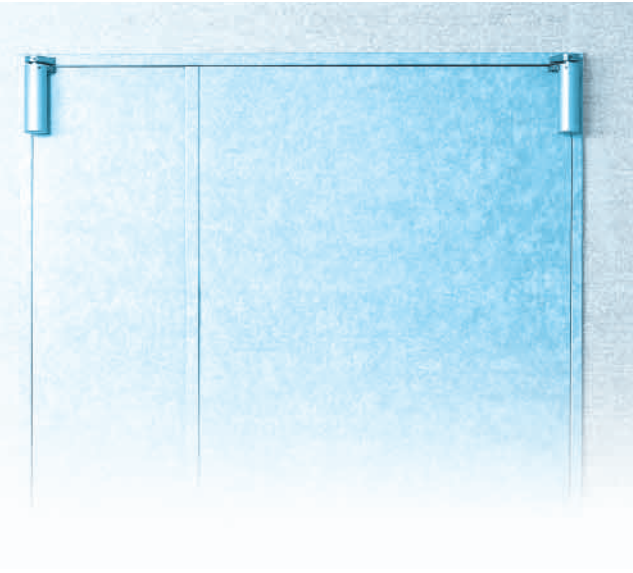
Off set type door closer
and simple design



CONCEALED

Door built – in type





The product is a pioneer, going ahead of all others in the world, taking full advantage of the company's unique door closer technology. Nitto Kohki's Auto Hinge Create is the result of latest technology where a simple external design incorporated with a precision mechanism.

Off-set type door closer

A capsule incorporating a spring and a hydraulic mechanism is combined with a pivot hinge to allow the door to close automatically and gently.

Simple design

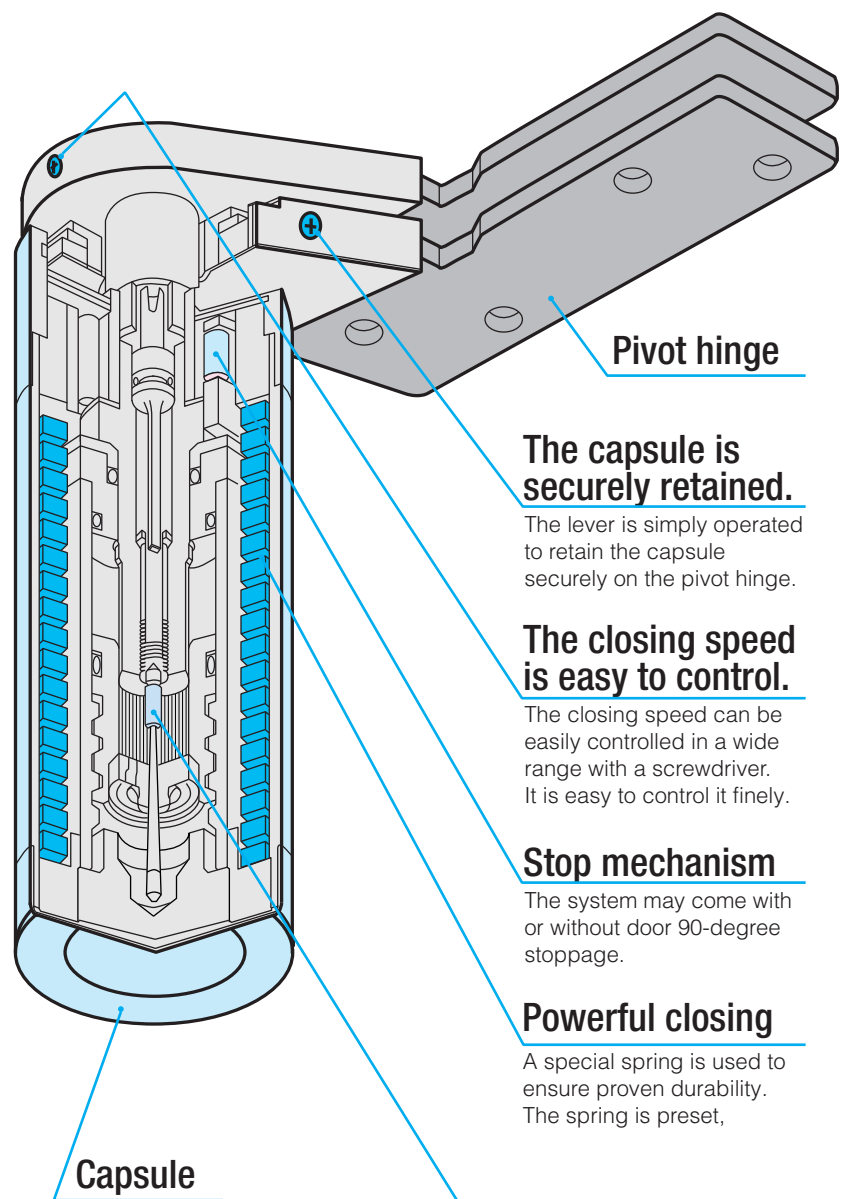
The simple and beautiful design devoid of an arm mechanism matches all doors.

Installed in a one-touch operation

The capsule can be installed easily after fix the pivot hinge. It is also easy to detach.

Outstanding durability

The structure with reduced friction ensures outstanding durability.



Pivot hinge

The capsule is securely retained.

The lever is simply operated to retain the capsule securely on the pivot hinge.

The closing speed is easy to control.

The closing speed can be easily controlled in a wide range with a screwdriver. It is easy to control it finely.

Stop mechanism

The system may come with or without door 90-degree stoppage.

Powerful closing

A special spring is used to ensure proven durability. The spring is preset,

Capsule

Smooth closing

A unique speed adjustment structure is used to enable optimal closing. The door closes gently.

Specification table for capsule pivot hinges

Capsule

Model #	Door applicable	Door size applicable(mm)		Door weight applicable (kg)	Standard closing force (N-m)	Stop mechanism	Stop angle	Max. door-opening angle	Surface color
		W	H						
512	Doors of wood aluminum lightweight steel	900 (or less)	2100 (or less)	50 (or less)	10	—	—	Right or left opening alone by 180 degrees	Silver and bronze melamine resin baked paint
512S						○	90°		
513		1000 (or less)	2100 (or less)	85 (or less)	15	—	—		
513S						○	90°		

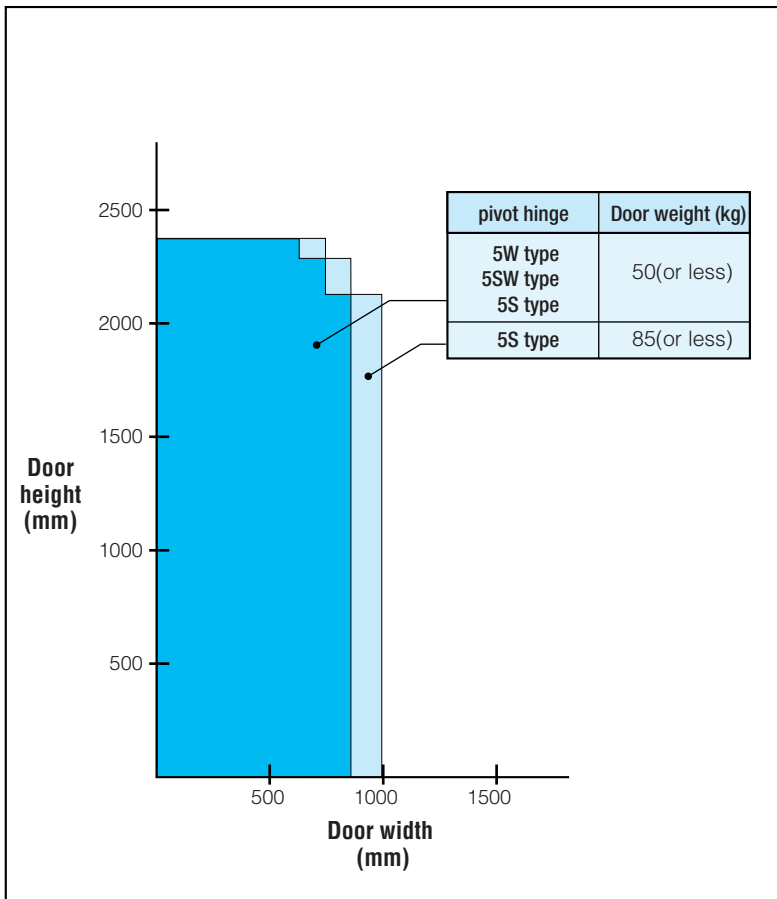
Pivot hinge

Model #	Shaft seat model	Door applicable	Door size applicable(mm)			Door weight applicable (kg)	Main material		
			W	H	D		Seat plates 1) to 3)	Seat plates 4)	Decorated cover
5WA	Installed on the housing	Doors of wood aluminum lightweight steel	900(or less)	2100(or less)	35(or more)	50(or less)	Steel plate	Stainless steel	Stainless steel
5SWA									
5SWB									
5SB									
5SC	Recessed	Steel	1000(or less)	2100(or less)	40(or more)	85(or less)		Steel plate	
5SD	Bottom frame type								

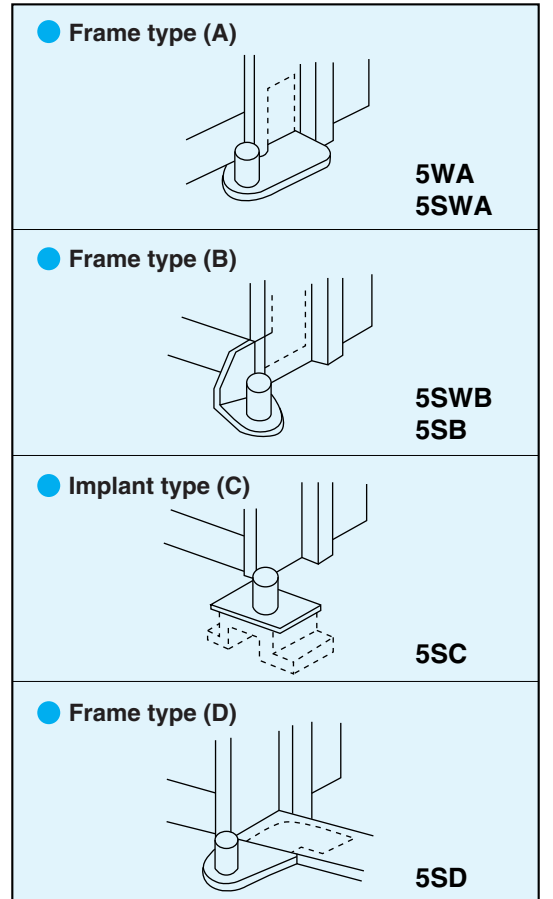
Remarks

1. Be sure to use the pivot hinge of the abovementioned model. For combinations of pivot hinge and capsule, see the following at-a-glance table of applicable doors.
2. Door opening is displayed by R for right hand doors and L for left hand doors at the end of a model number. A door with a stop mechanism comes with an S at the model number.
3. The shaft seat model of the pivot hinge differs according to the bottom frame side seat plate. See the diagram below.
4. As the door width narrows, it takes a stronger force to open the door. Consult us if you wish to order a capsule with a weaker closing force.

At-a-glance table of applicable doors



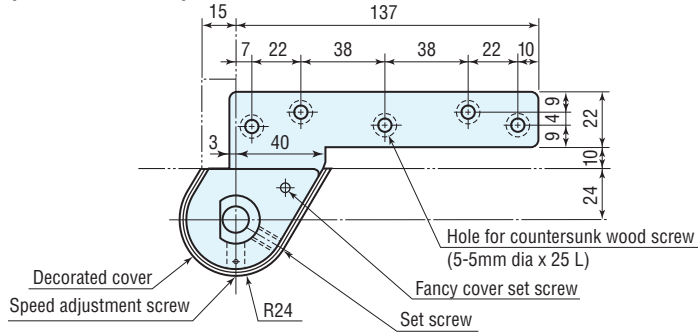
Pivot hinge shaft seat model



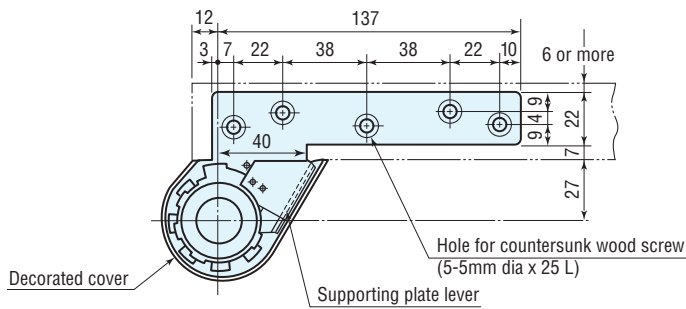
Pivot hinge 5WA type

Model #	Door applicable	Door size applicable(mm)			Door weight applicable (kg)	Main material		
		W	H	D		Seat plates 1) to 3)	Seat plates 4)	Decorated cover
5WA	Frame type (A)	900(or less)	2100(or less)	35(or more)	50(or less)	Steel plate	Stainless steel	Stainless steel

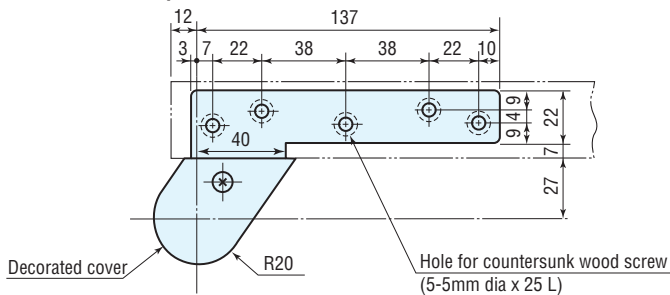
1) Top frame side seat plate



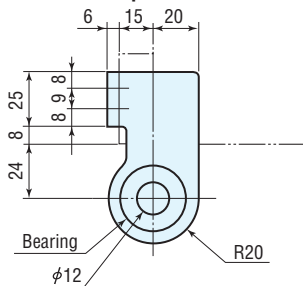
2) Top door side seat plate



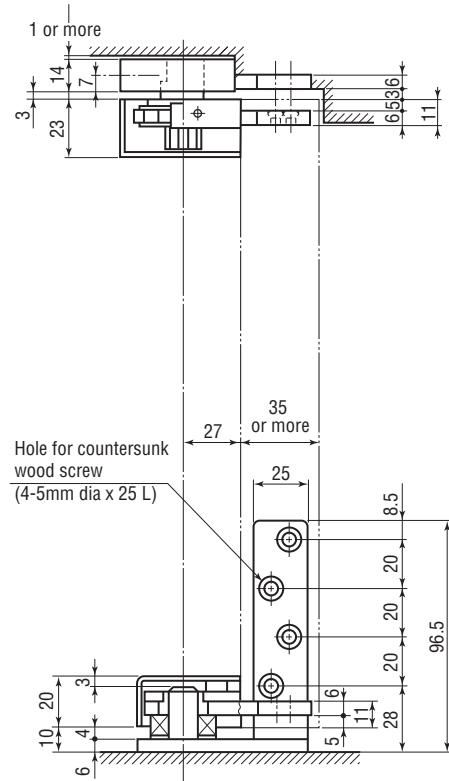
3) Bottom door side seat plate



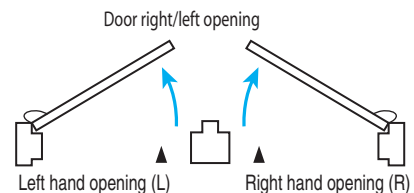
4) Bottom frame side seat plate



Installation diagram



⚠ Set the system so that the margin will become 3mm (2 to 4).



Remarks

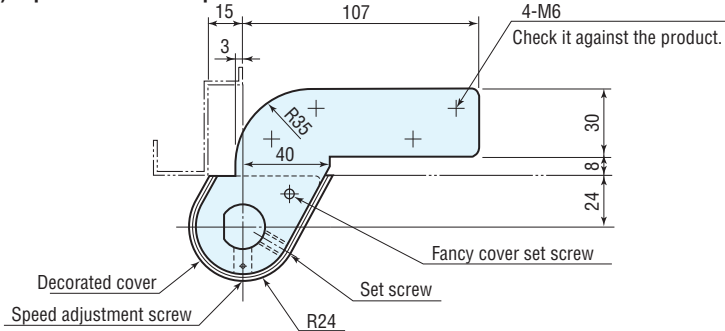
1. For both the door and frame, the material of their mount should be of vertical wood of at least lauan.
2. The special-purpose wood screws for installation furnished with the system is 25mm long. Therefore set the frame thickness to 25mm or more.
3. This diagram represents a right hand opening door.

Pivot hinge 5SWA type

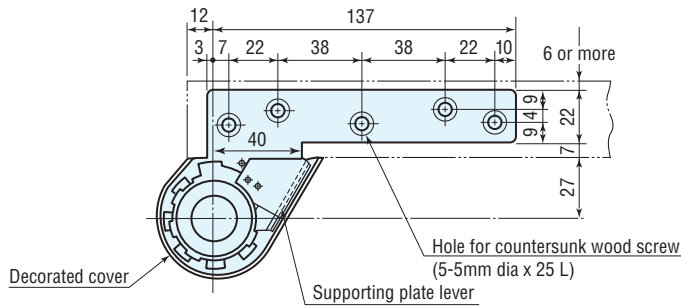
For steel frames
For doors of wood,
aluminum, and lightweight steel

Model #	Door applicable	Door size applicable(mm)			Door weight applicable (kg)	Main material		
		W	H	D		Seat plates 1) to 3)	Seat plates 4)	Decorated cover
5SWA	Frame type (A)	900(or less)	2100(or less)	35(or more)	50(or less)	Steel plate	Stainless steel	Stainless steel

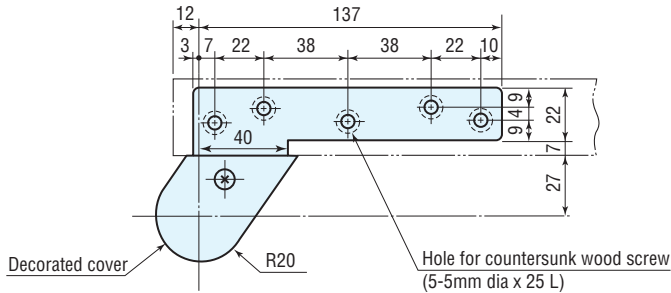
1) Top frame side seat plate



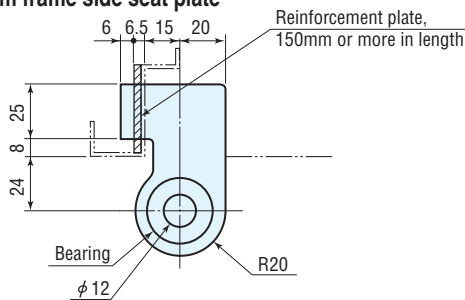
2) Top door side seat plate



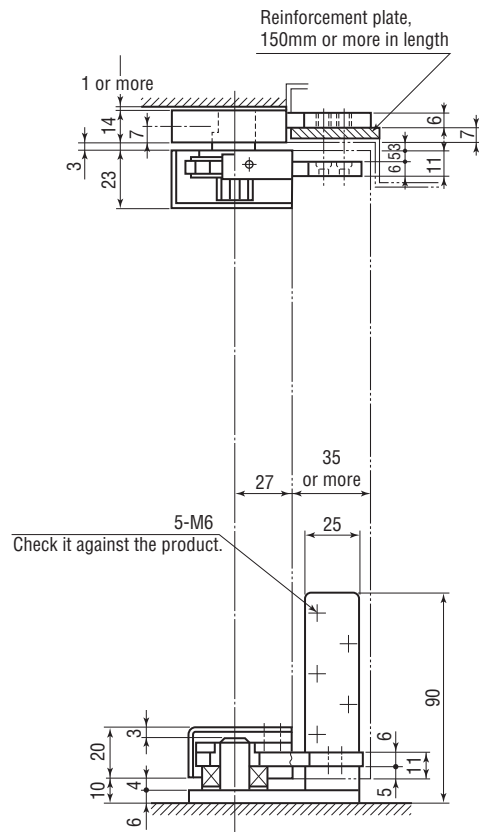
3) Bottom door side seat plate



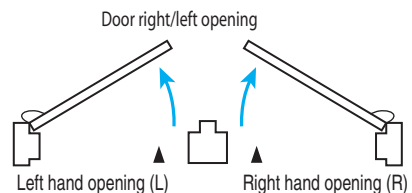
4) Bottom frame side seat plate



Installation diagram



⚠ Set the system so that the margin will become 3mm (2 to 4).



Remarks

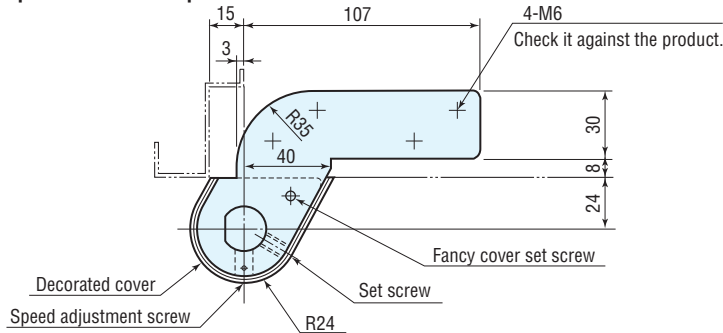
1. Use a door of vertical wood of at least lauan.
2. Be sure to equip the mount of the frame side seat plate with a reinforcing plate at least 3.2mm thick and at least 150mm long.
3. Use M6 mounting screws for the frame side seat plate.
4. This diagram represents a right hand opening door.

Pivot hinge 5SWB type

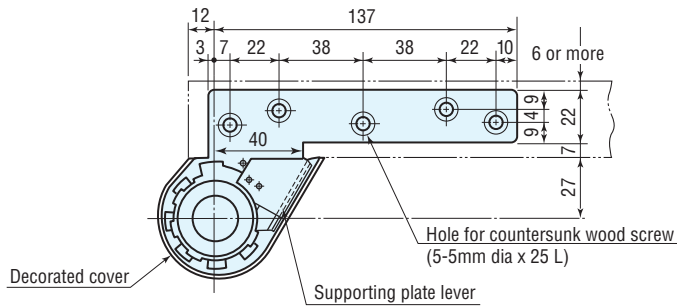
For steel frames
For doors of wood,
aluminum, and lightweight steel

Model #	Door applicable	Door size applicable(mm)			Door weight applicable (kg)	Main material		
		W	H	D		Seat plates 1) to 3)	Seat plates 4)	Decorated cover
5SWB	Frame type (B)	900(or less)	2100(or less)	35(or more)	50(or less)	Steel plate	Stainless steel	Stainless steel

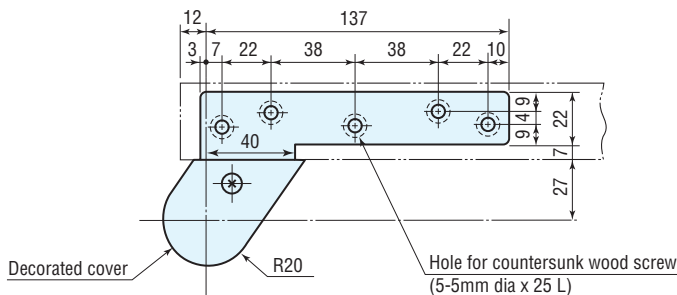
1) Top frame side seat plate



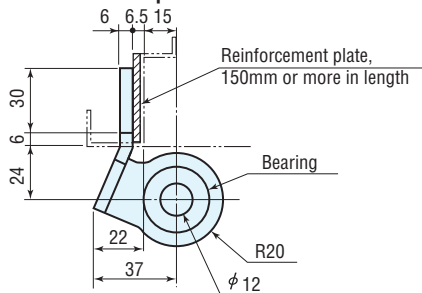
2) Top door side seat plate



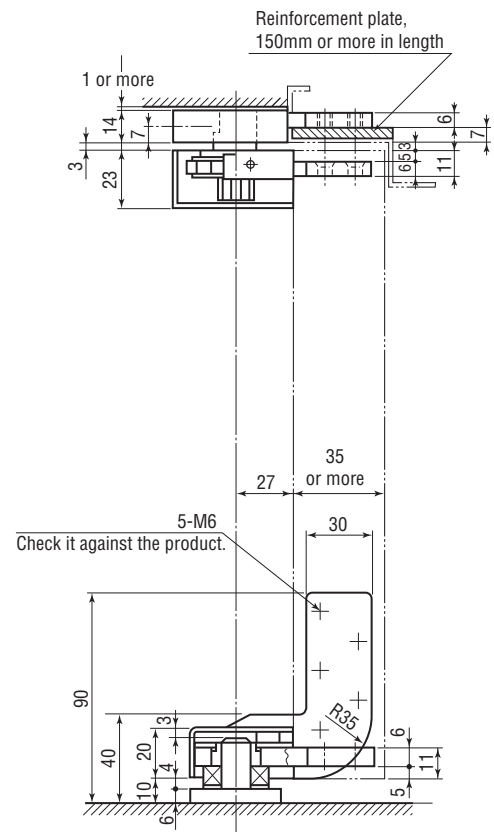
3) Bottom door side seat plate



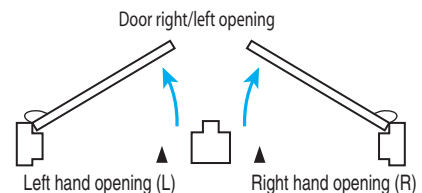
4) Bottom frame side seat plate



Installation diagram



⚠ Set the system so that the margin will become 3mm (2 to 4).

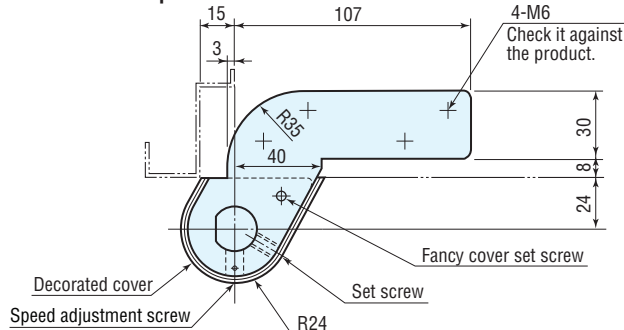


Remarks

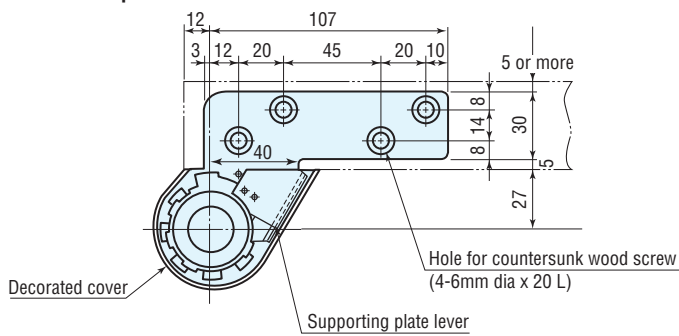
1. Use a door of vertical wood of at least lauan.
2. Be sure to equip the mount of the frame side seat plate with a reinforcing plate at least 3.2mm thick and at least 150mm long.
3. Use M6 mounting screws for the frame side seat plate.
4. This diagram represents a right hand opening door.

Model #	Door applicable	Door size applicable(mm)			Door weight applicable (kg)	Main material		
		W	H	D		Seat plates 1) to 3)	Seat plates 4)	Decorated cover
5SB	Frame type (B)	1000(or less)	2100(or less)	40(or more)	85(or less)	Steel plate	Stainless steel	Stainless steel

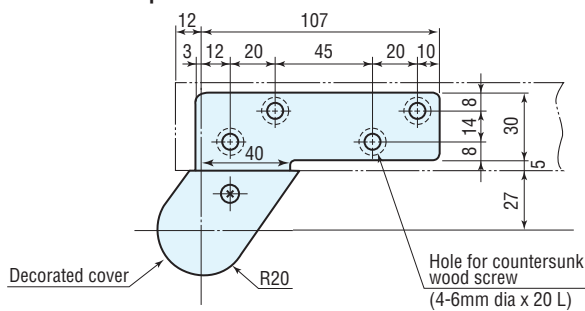
1) Top frame side seat plate



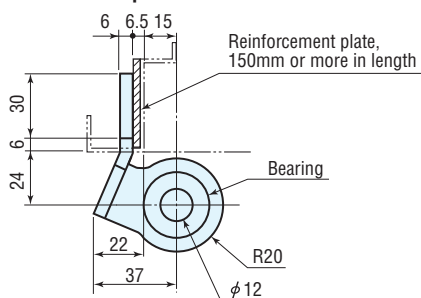
2) Top door side seat plate



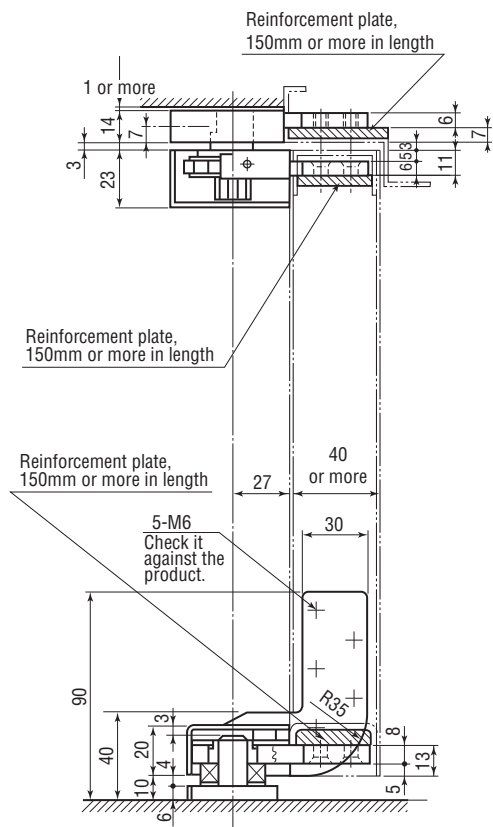
3) Bottom door side seat plate



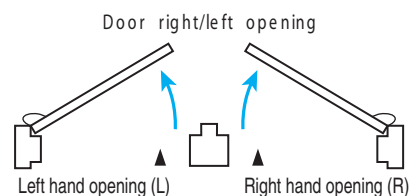
4) Bottom frame side seat plate



Installation diagram



Set the system so that the margin will become 3mm (2 to 4).

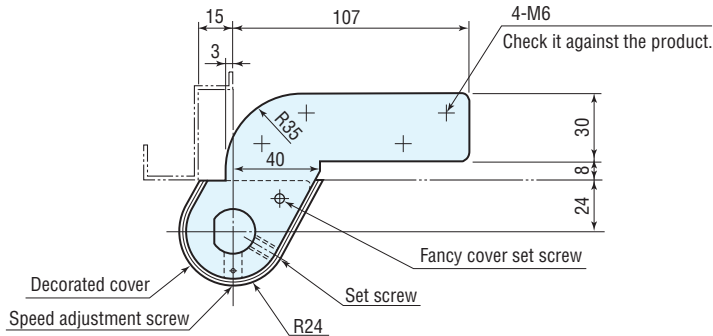


Remarks

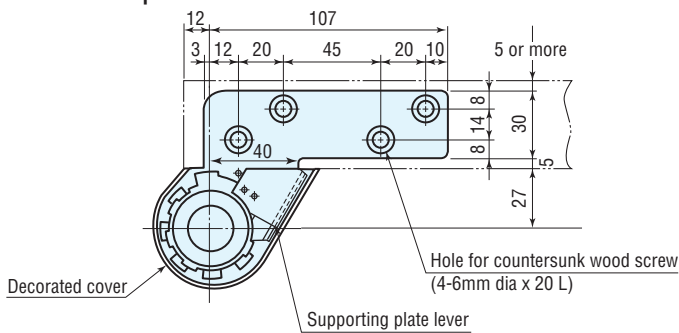
1. Be sure to equip the mount of the seat plate for both the door and frame with a reinforcing plate at least 3.2mm thick and at least 150mm long.
2. Use M6 mounting screws for the seat plate.
3. This diagram represents a right hand opening door.

Model #	Door applicable	Door size applicable(mm)			Door weight applicable (kg)	Main material		
		W	H	D		Seat plates 1) to 3)	Seat plates 4)	Decorated cover
5SC	Implant type	1000(or less)	2100(or less)	40(or more)	85(or less)	Steel plate	Steel plate	Stainless steel

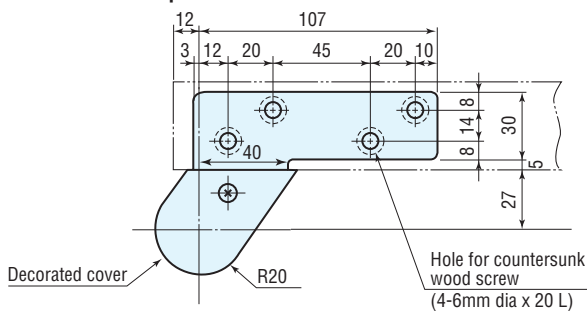
1) Top frame side seat plate



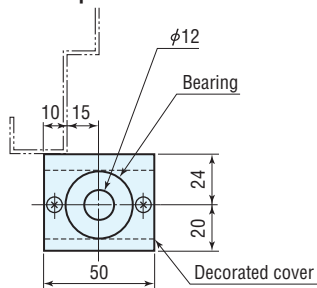
2) Top door side seat plate



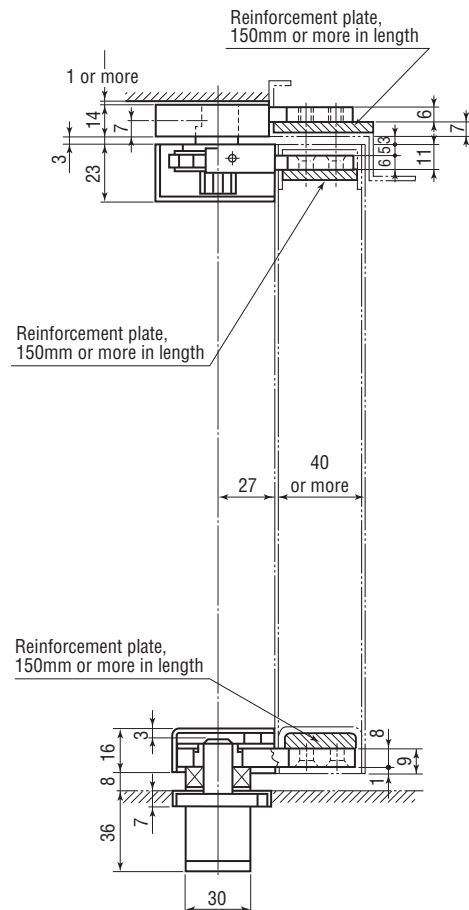
3) Bottom door side seat plate



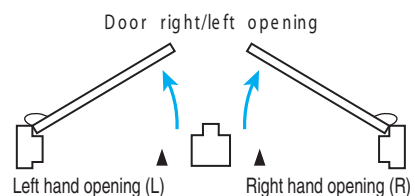
4) Bottom frame side seat plate



Installation diagram



⚠ Set the system so that the margin will become 3mm (2 to 4).

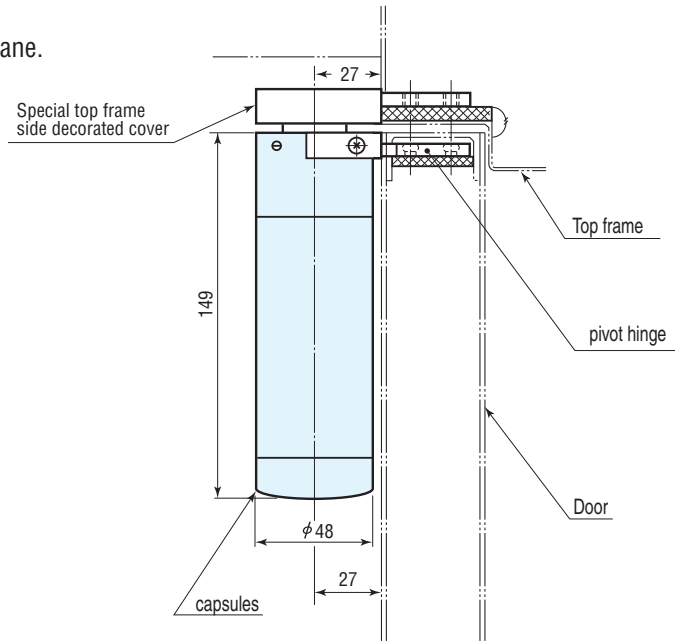
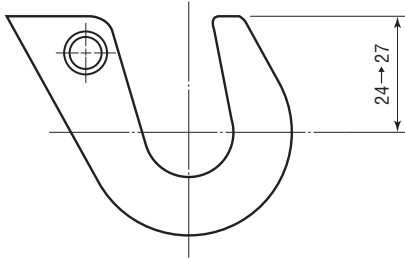


Remarks

1. Be sure to equip the mount of the seat plate for both the door and frame with a reinforcing plate at least 3.2mm thick and at least 150mm long.
2. Use M6 mounting screws for the seat plate.
3. This diagram represents a right hand opening door.

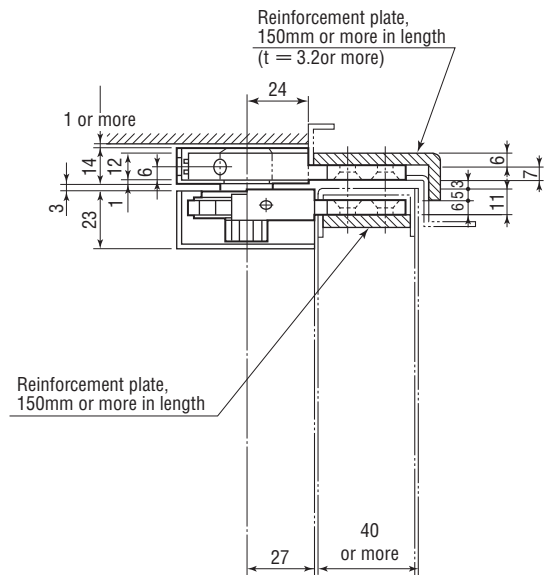
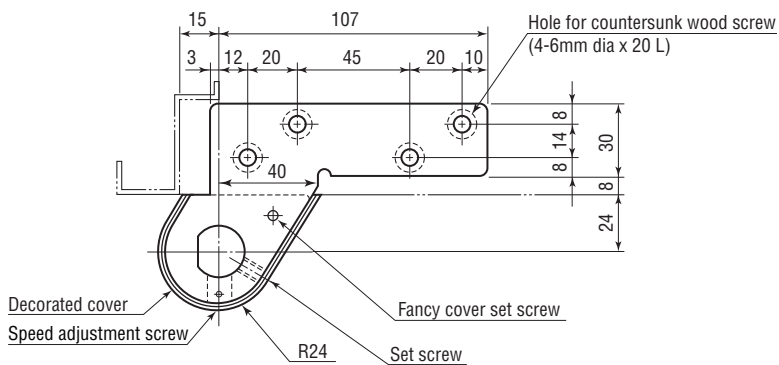
1. Special - frame side decorated cover

- Use this if the top frame and door are on the same plane.



2. Special - top frame side seat plate (for steel frame)

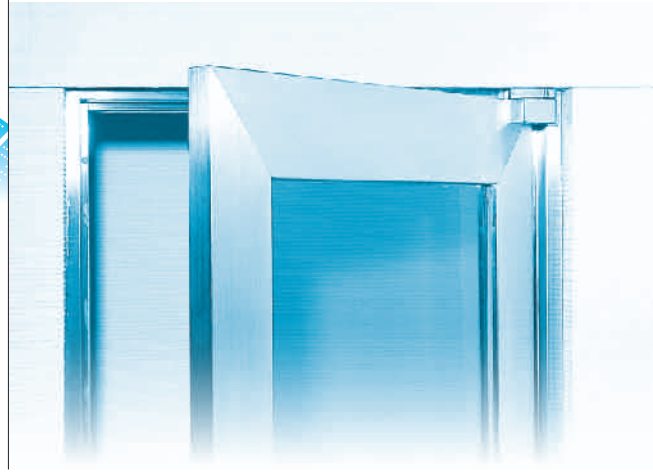
- This product represents the chamfered type of the top frame side seat plate (for steel frame). Please consult us. We are ready to cope according to the way the parts are housed.



Set the system so that the margin will become 3mm (2 to 4).



The Concealed 600 Series is now on sale, the combination of Nitto Kohki's original closer technology, together with the new Concealed 600 series.



The Concealed 600 series takes full advantage of Nitto Kohki's original closer technology and incorporates the latest mechanism, equipped with most recent mechanism.

The closing speed is controlled by a two-valve (two-step adjustment) system. You are free to set a new speed between the first speed section and the second speed section.

● **The closing speed is controlled by the two-valve system.**

Two speed adjustment valves (two valves) are used to set a closing speed for the first and the second speed section freely according to the circumstance.

● **The stop function can be enabled and disabled.**

The product enables and disables stoppage. (The system is factory-configured to stop enabled.)

The model comes also with a function for enabling and disabling stop with the door open 90 degrees. This helps improve the operation environment of the door.

This is best suited for high-class doors in intelligent buildings, hotels, residential houses, and similar buildings.

● **The spring is preset.**

The closing torque is factory-adjusted. You do not have to wind it on the site. After the installation, you can unwind the spring according to the operation status on the site and control the closing torque.

● **Concealed type of the off set pivot hinge type**

The door comes only with a stainless steel decorated cover of the pivot hinge type. The closer is incorporated in the door.

Specifications

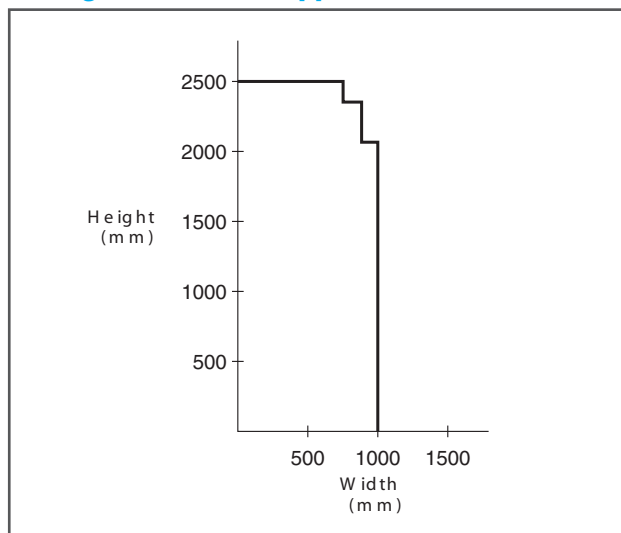
● **Model 643S**

Article	Hand	Door size applicable (mm)			Door weight applicable (kg)	Max. opening angle	Stop angle	Speed adjustment function
		W	H	D				
643SR	Right	900 or less	2400 or less	40 or more	85 or less	180° Left or right one-sided opening	90° Stop can be disabled	Two-valve system
643SL	Left							

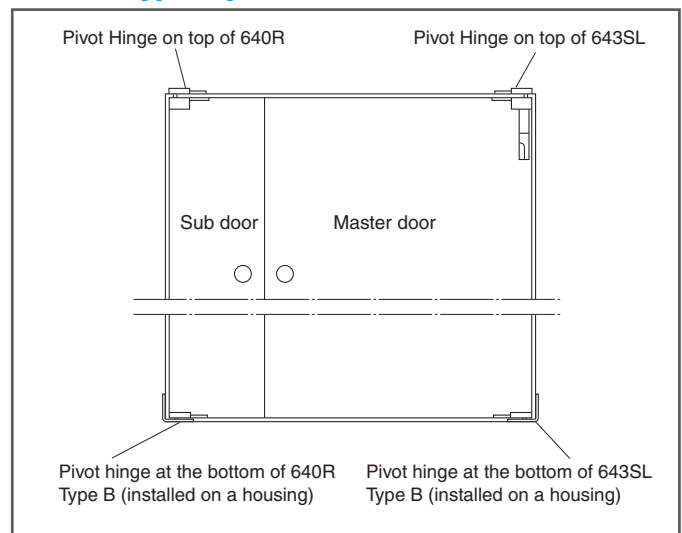
● **Model 640 (empty hinge)**

Article	Hand	Door size applicable (mm)			Door weight applicable (kg)	Max. opening angle	Stop angle	Speed adjustment function
		W	H	D				
640R	Right	900 or less	2400 or less	40 or more	85 or less	180° Left or right one-sided opening	—	—
640L	Left							

At-a-glance table of applicable doors



How it is typically installed

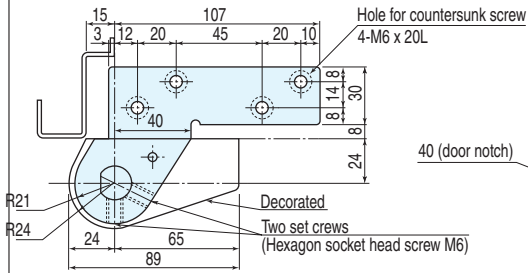


Installation diagram

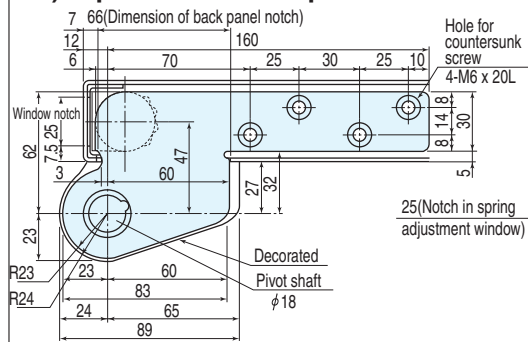
● Model 643S

Top pivot hinge (with closer)

1) Top frame side seat plate

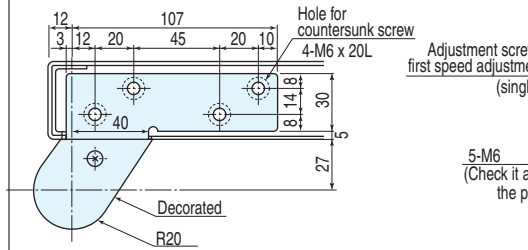


2) Top door side seat plate

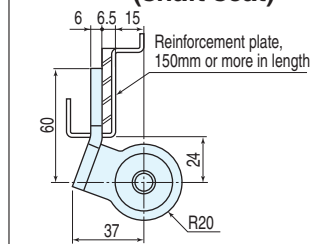


Bottom pivot hinge, type B (installed on the housing)

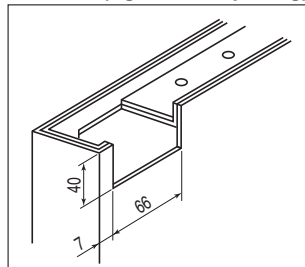
3) Bottom door side seat plate



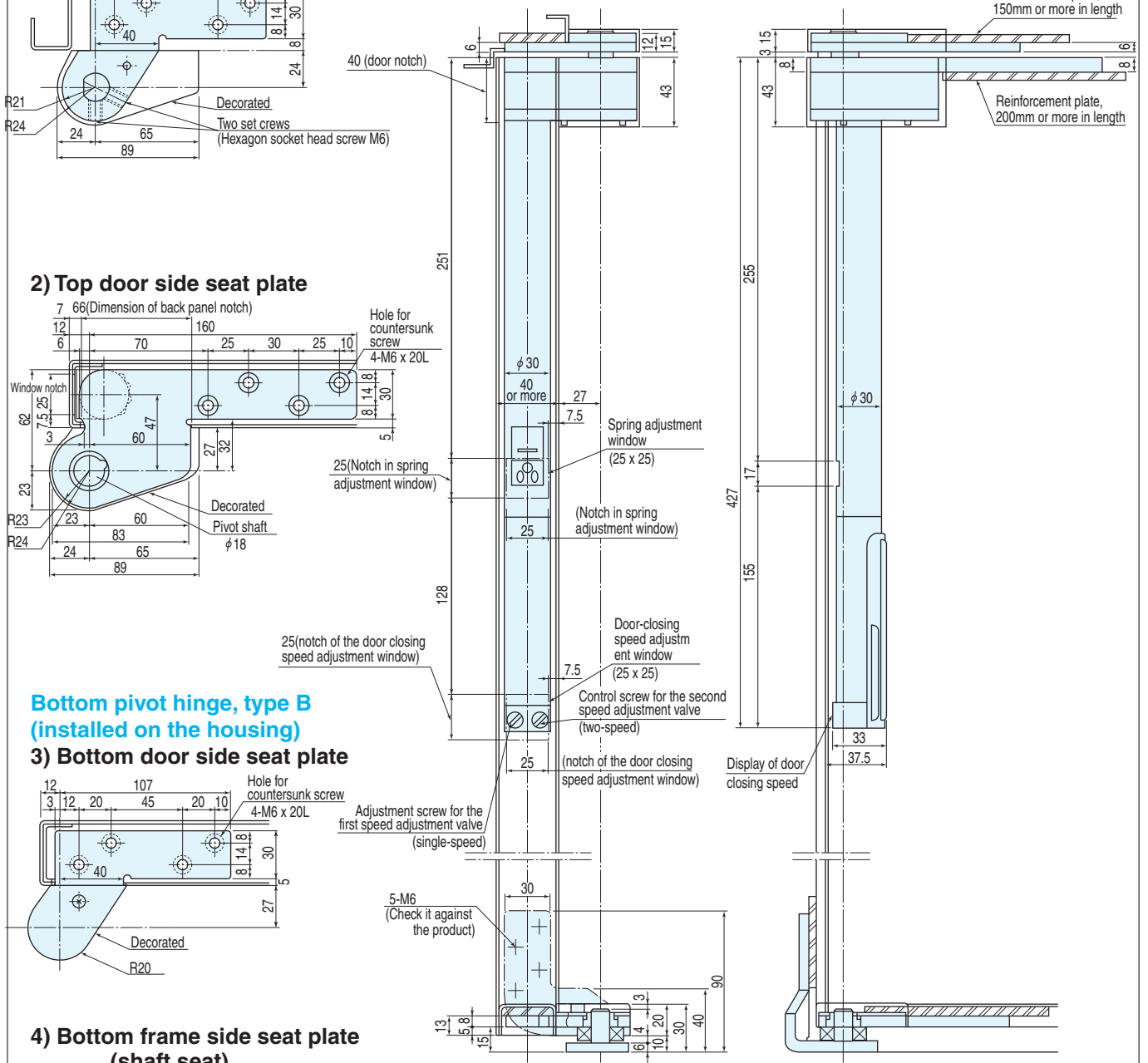
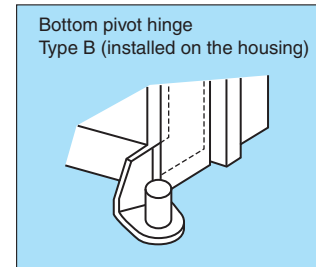
4) Bottom frame side seat plate (shaft seat)



● Notch at the top of the door (right hand opening)



● Pivot hinge shaft seat model

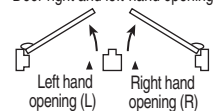


[Note 1] This diagram represents a right hand opening type (643SR).

[Note 2] Be sure to use a reinforcement plate at least 3.2mm thick at a place where a frame side seat plate is installed.

[Note 3] Use M6 screws for installing the seat plate.

Door right and left-hand opening

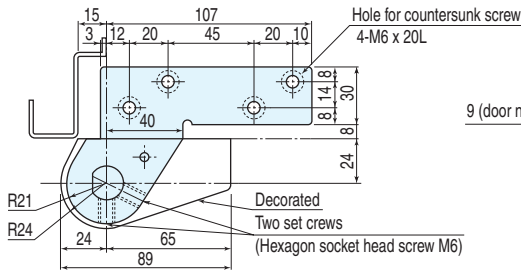


Installation diagram

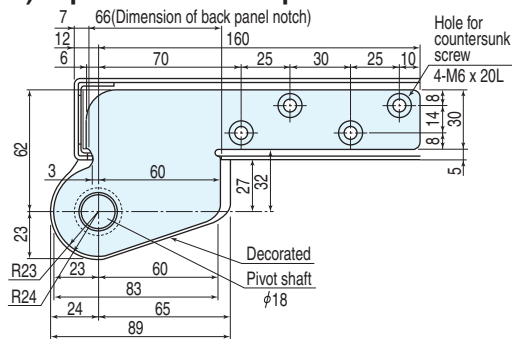
● Model 640

Top pivot hinge (without a closer)

1) Top frame side seat plate

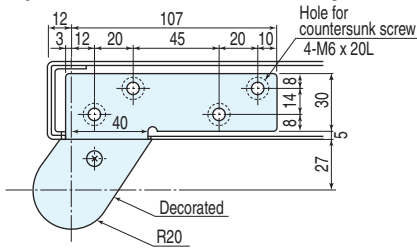


2) Top door side seat plate

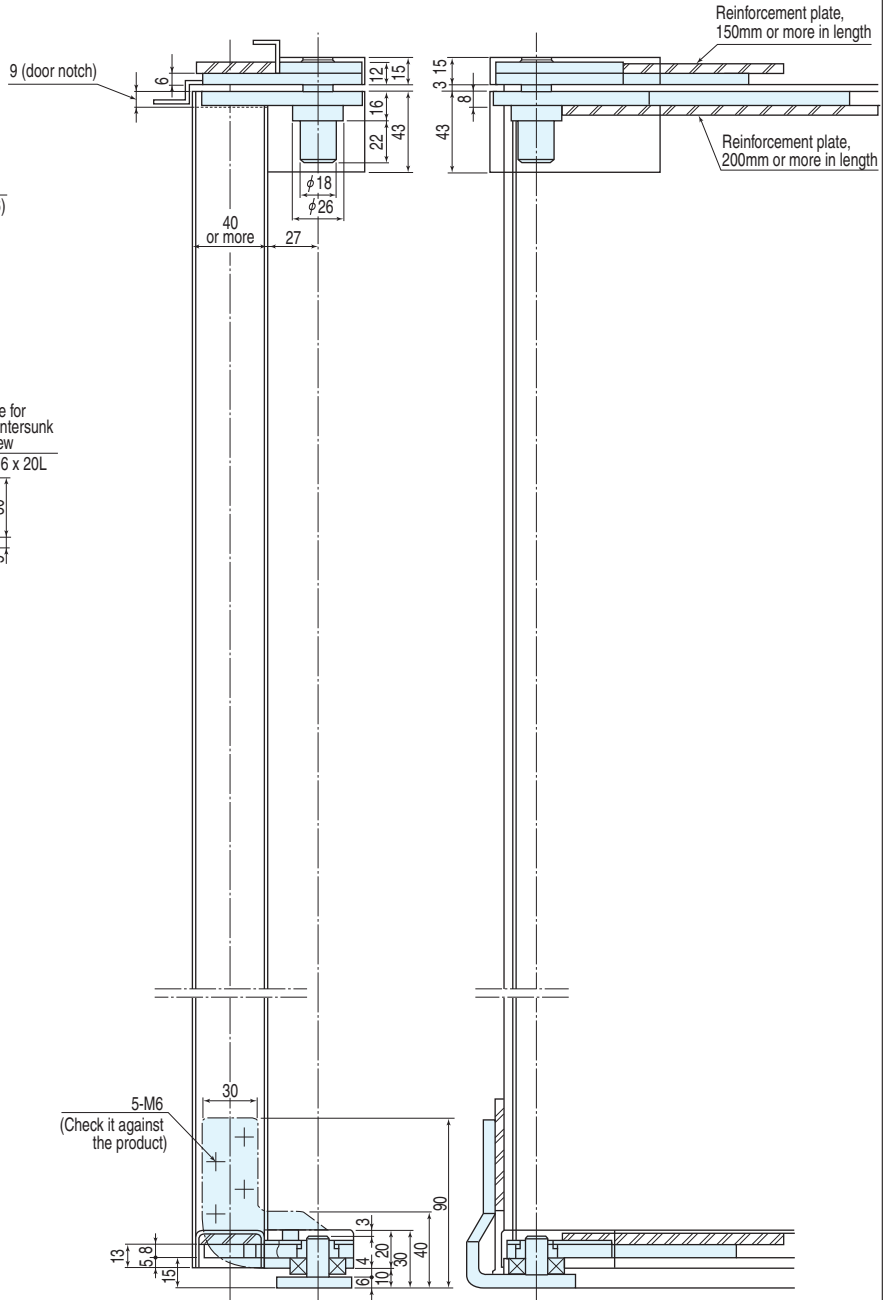
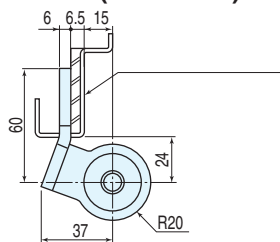


Bottom pivot hinge, type B (installed on the housing)

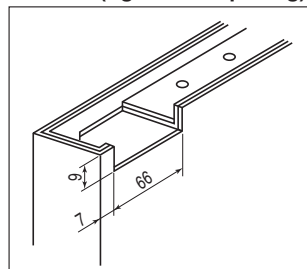
3) Bottom door side seat plate



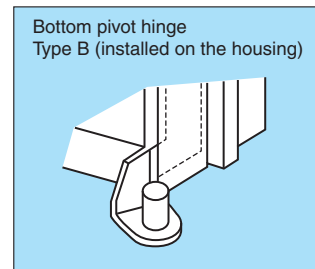
4) Bottom frame side seat plate (shaft seat)



● Notch at the top of the door (right hand opening)



● Pivot hinge shaft seat model

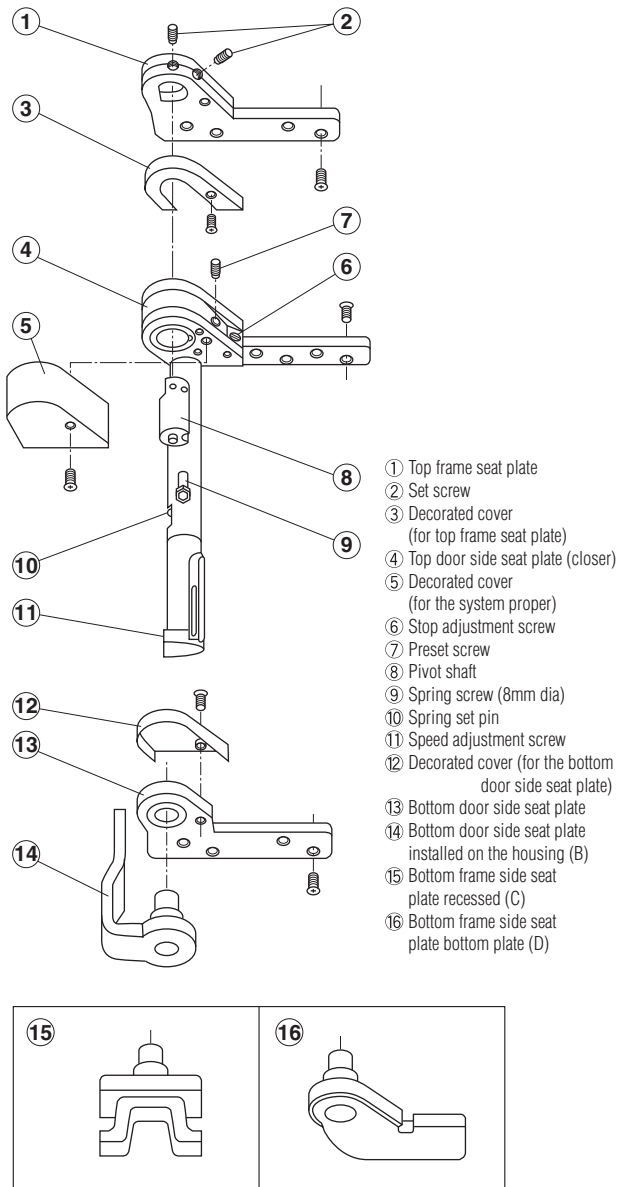


[Note 1] This diagram represents a right hand opening type (640R).

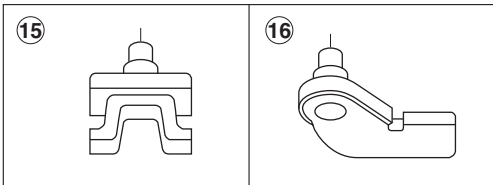
[Note 2] Be sure to use a reinforcement plate at least 3.2mm thick at a place where a frame side seat plate is installed.

[Note 3] Use M6 screws for installing the seat plate.

Part composition diagram

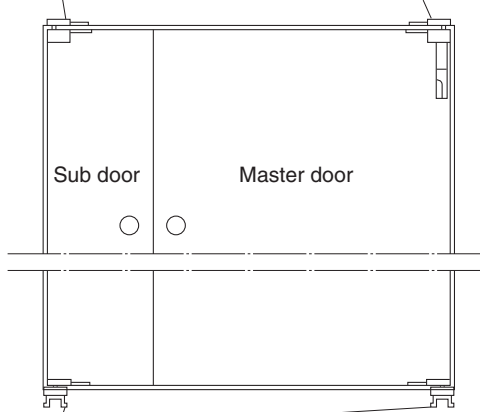


- ① Top frame seat plate
- ② Set screw
- ③ Decorated cover (for top frame seat plate)
- ④ Top door side seat plate (closer)
- ⑤ Decorated cover (for the system proper)
- ⑥ Stop adjustment screw
- ⑦ Preset screw
- ⑧ Pivot shaft
- ⑨ Spring screw (8mm dia)
- ⑩ Spring set pin
- ⑪ Speed adjustment screw
- ⑫ Decorated cover (for the bottom door side seat plate)
- ⑬ Bottom door side seat plate
- ⑭ Bottom door side seat plate installed on the housing (B)
- ⑮ Bottom frame side seat plate recessed (C)
- ⑯ Bottom frame side seat plate bottom plate (D)



How an option is typically installed

Standard : Pivot Hinge on top of 640R Standard : Pivot Hinge on top of 643SL

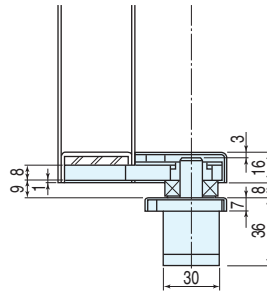


Options : Bottom pivot hinge, type C, or type D (bottom frame type)

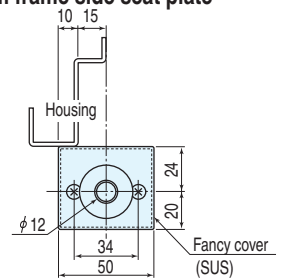
Options

The standard bottom pivot hinge for models 643S and 640 is type B (installed on the housing).
Optionally available is type C (recessed) and type D (bottom frame type).

○ Bottom pivot hinge, type C (recessed)

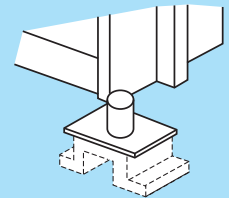


Bottom frame side seat plate

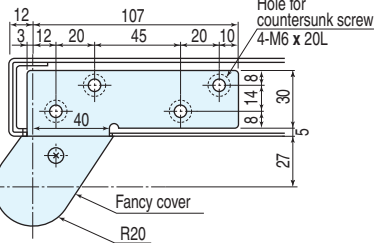


● Pivot hinge shaft seat type

Bottom pivot hinge, type C (recessed)

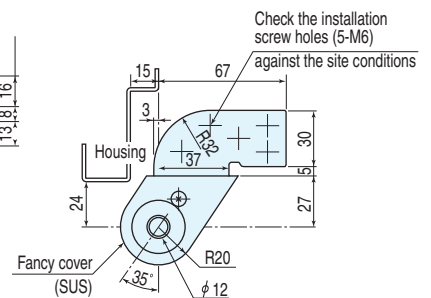
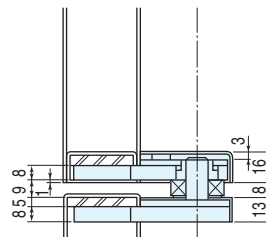


Bottom door side seat plate



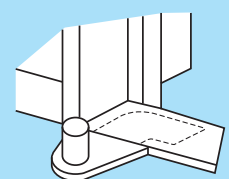
○ Bottom pivot hinge, type D (bottom frame type)

Bottom frame side seat plate

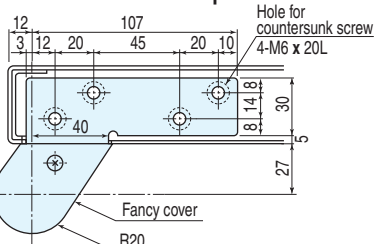


● Pivot hinge shaft seat type

Type D (bottom frame type)



Bottom door side seat plate

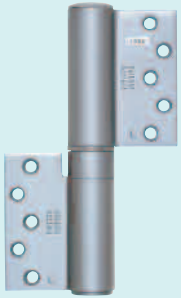


[Note] This diagram represents a right hand opening type.

AUTO HINGES

OTHER RELATED PRODUCTS

FLAG TYPE



- Armless closer making a boast of Nitto Kohki, being easily installed on an arch door, etc.
- Various models according to types and sizes of doors (wooden, aluminum, lightweight steel, steel doors) are available from us.

PC series

- Drip-proof design
- Adopts an actuator with unique temperature sensor, thus assuring constant closing speed all the year round.



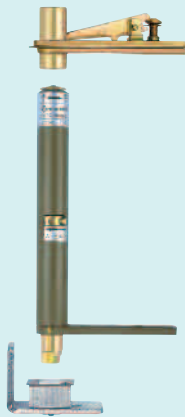
700 series

- They come with special sealing and stainless steel.
- A much wider range of uses including bathrooms and seashores.



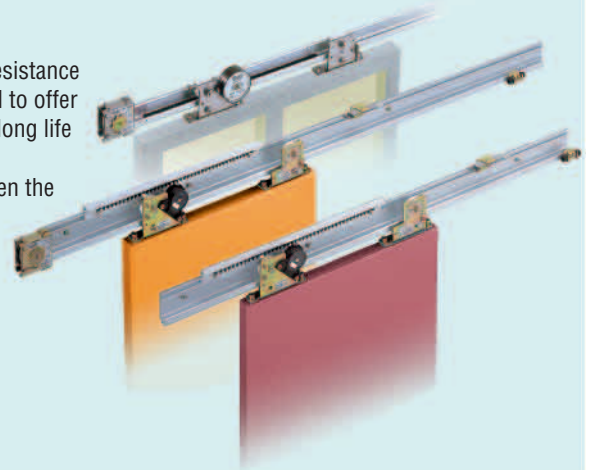
CENTER HANG TYPE

- Most suitable for fire protection, open smoke ventilation and normally-opened / closed doors and air supply doors.
- Concealed type (door built-in type.)



SLIDING CLOSER SYSTEM

- The endless, viscosity resistance type control is employed to offer a compact, lightweight, long life closer.
- Can be converted between the right- and left-handed opening types by a simple operation.



⚠ Safety precautions

- To avoid personal injury and other accidents, thoroughly read the precautions set forth in the "Instruction Manual" or "Catalog" and properly complete the installation and adjustment procedures before use.

- Ensure that the door closing speed is properly adjusted at all times. If it is too high, personal injury may result.

Driving Inventive Technologies Too Open Up Tomorrows



Head Office and Research Center
Nakaikegami 2-9-4, Ohta-ku, Tokyo
146-8555 Japan
Phone : 03(3755)1111 Fax : 03(3753)8791

Contact us
Kentokyo@nitto-kohki.co.jp

Product Info
<http://www.nitto-kohki.co.jp>

Overseas Auto Hinge Sales Division
Yokoyama Bldg. 7F, Nishi-Nippori 2-40-3,
Arakawa-ku, Tokyo 116-0013 Japan
Phone : 03(5850)5781 Fax : 03(3801)6001

Distributed by