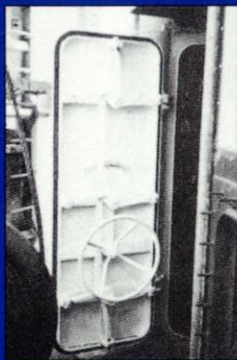


NHN Door Closer 57M Series

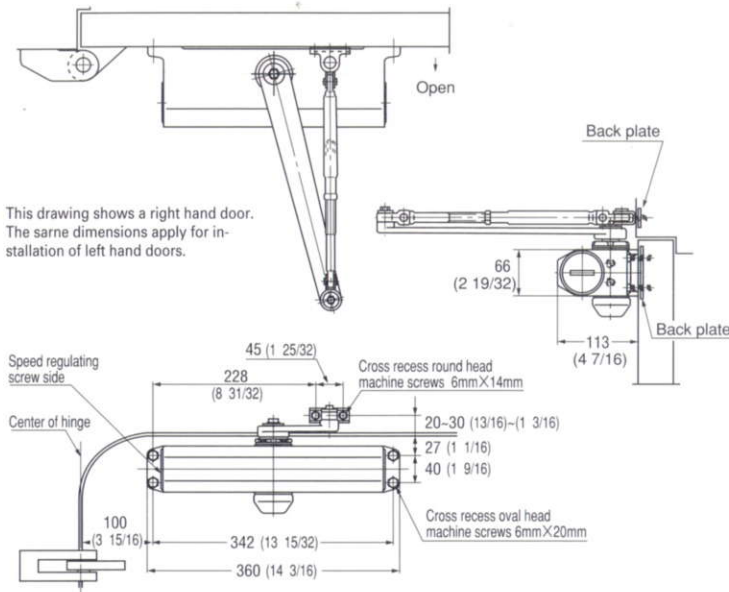


Shipboard door closer for strong and watertight closing of heavy steel doors



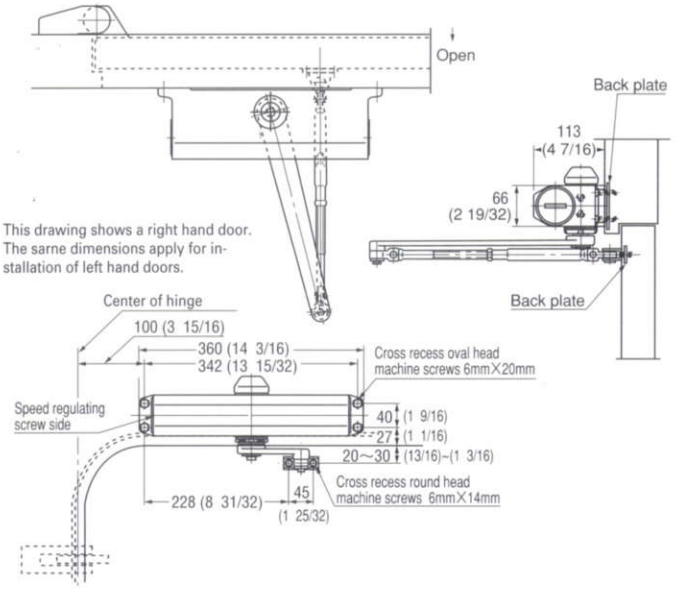
Exclusively designed for shipboard use, the NHN 57M Series offers that extra measure of efficiency and watertight security. The 57M Series standard model affords about 1.4 times the closing power of the 55 Series standard model, while the 57M Series heavy-duty model. With main body of alumite and arm and link of 18-8 stainless steel, excellent corrosion resistance and years of dependable service are assured. The NHN 57M Door Closer is the perfect model for shipboard use wherever heavy steel doors require smooth, strong and watertight closing.

Regular Arm Application



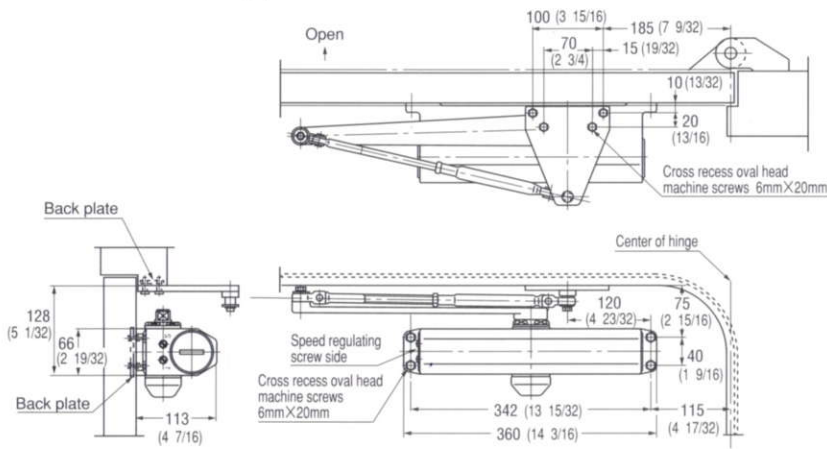
This drawing is right handing. Unit : mm (inch)

Top Jamb Application



This drawing is right handing. Unit : mm (inch)

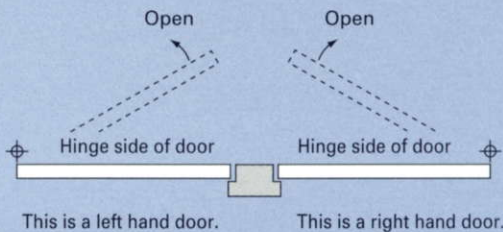
Parallel Arm Application



This drawing is right handing. Unit : mm (inch)

Checking handing of door

If the door opens clockwise, it is a right-hand door.
If the door opens counterclockwise, it is a left-hand door.



	Installation		Door	
	Regular and top jamb installation	Parallel installation	Dimensions WxH (mm)	Weight (kg)
Standard model	DC-57MS	DC-57MS-P	1000x2000	100-170
Heavy-duty model	DC-57MC	DC-57MC-P	2000x3000	140-250

The No.57M Series Door Closer is reversible for use with either left- or right-hand doors. The closing power of the No.57M Series standard model. That of the heavy-duty model is 2 times. The door closer can be used in ambient temperatures of between -30°C and +50°C.



EXCLUSIVE EXPORTER

KENWA CO., LTD.

4-14, TOKUICHO, 2-CHOME, CHUO-KU, Osaka, 541-0053 Japan

Phone: 81-(0)6-6945-8962 Facsimile: 81-(0)6-6945-8966

E-mail: info@kenwa.co.jp http://www.kenwa.co.jp



DAIHATSU DIESEL NHN CORPORATION